

51144 M Thrust ball bearings, single direction

- Popular item

Thrust ball bearings, single direction

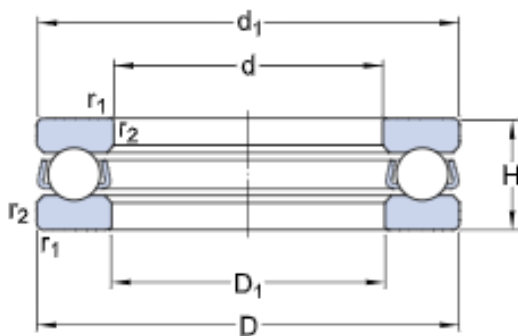
Bearing data

[Tolerances,](#)
table 1

Bearing interfaces

[Seat tolerances for standard conditions,](#)
[Tolerances and resultant fit](#)

Technical specification

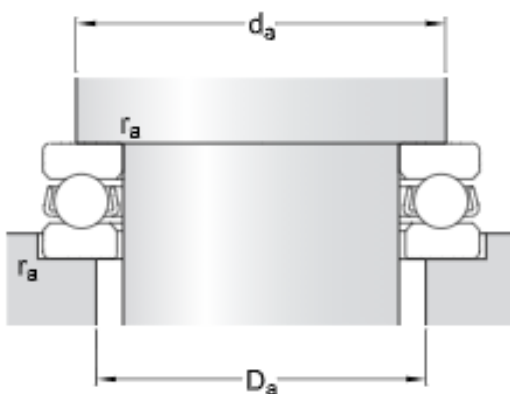


DIMENSIONS

d	220 mm	Bore diameter
D	270 mm	Outside diameter
H	37 mm	Height
d_1	≈ 267 mm	Outside diameter shaft washer
D_1	≈ 223 mm	Inner diameter housing washer
$r_{1,2}$	min. 1.1 mm	Chamfer dimension washer

ABUTMENT DIMENSIONS

d_a	min. 250 mm	Abutment diameter shaft
D_c	max. 240 mm	Abutment diameter housing
r_a	max. 1 mm	Fillet radius



CALCULATION DATA

C	178 kN	Basic dynamic load rating
C ₀	800 kN	Basic static load rating
P _u	19 kN	Fatigue load limit
	1 300 r/min	Reference speed
	1 900 r/min	Limiting speed
A	3.3	Minimum load factor

MASS

4.6 kg	Mass bearing (including seat washer where applicable)
--------	---

More information

<p>Product details</p> <ul style="list-style-type: none"> Designs and variants Bearing data Loads Temperature limits Permissible speed Mounting Designation system 	<p>Engineering information</p> <ul style="list-style-type: none"> Principles of rolling bearing selection General bearing knowledge Bearing selection process Bearing interfaces Seat tolerances for standard conditions Lubrication External sealing, mounting and dismounting Bearing failure and how to prevent it 	<p>Tools</p> <ul style="list-style-type: none"> Bearing Select Engineering Calculator SimPro Quick LubeSelect for SKF greases Heater selection tool
---	---	--